



VRLA Rechargeable Battery

HR40-12 Standard Type



FEATURES

- Maintenance free(no water topping-up required)
- No free acid(Non-spillable battery)
- Can be used in any orientation(excluding used inverted)
- The battery is designed for high rate usage
- Absorbent Glass Mat technology for efficient gas recombination
- The power density at 5 min~15min discharging rate is 30% higher than BP series


APPLICATIONS

- UPS
- Wheelchairs
- Lawn Mowers
- Electronic Medical Equipment
- Golf-Carts




SPECIFICATIONS

Nominal Voltage	12 V
Nominal Capacity	38Ah @ 10 hour rate F.V.(1.75V/cell)
Approx. Weight	12.1Kg(26.68lbs.)
Terminals	B7 (Fitting M6 bolt & nut)
Internal Resistance	≤6mΩ (Fully Charged)
Max. Discharge Current	495 A (5 sec.)
Max. Charge Current	11.4 A
Operating Temperature Range	Charge 0°C~40°C(32°F~104°F) Discharge -20°C~50°C(-4°F~122°F) Storage. -20°C~40°C(-4°F~104°F)
Container Material	Standard: ABS(UL94 HB) HR40-12 Optional: Flame Retardant ABS(UL94 V-0) HR40-12FR

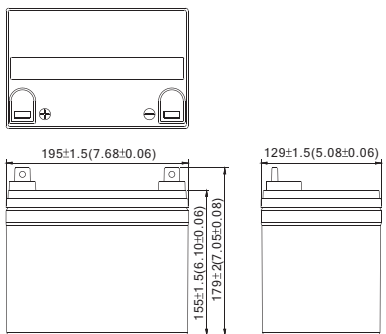
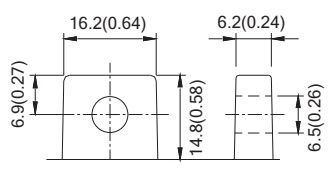


MH19884



C4M20310-2474-E-16

- IEC 61056-1
- JIS C 8702-1
- GB/T 19639.1

DIMENSION(mm/inch)	OUTER DIMENSIONS	TERMINAL TYPE
<ul style="list-style-type: none"> ■ Length 195±1.5 (7.68±0.06) ■ Width 129±1.5 (5.08±0.06) ■ Container Height 155±1.5 (6.10±0.06) ■ Total Height 179±2.0 (7.05±0.08) 		<p>● Terminal B7</p>  <p>[M6 BOLT & NUT]</p> <p>Terminal Hardware Initial Torque: B7(5.5Nm±5%)</p>

Constant power discharge characteristics at 25 °C/77 °F										Unit: W
F.V. (V/cell)	Discharge Time	5 Min	10 Min	15 Min	20 Min	30 Min	40 Min	50 Min	60 Min	120 Min
1.80V		1640.0	1120.0	811.0	692.0	526.0	400.0	334.0	294.0	162.2
1.70V		1960.0	1250.0	882.0	733.0	548.0	415.0	345.0	301.0	165.3
1.60V		2100.0	1315.0	922.0	760.0	560.0	425.0	352.0	306.0	168.0
1.50V		2160.0	1340.0	942.0	772.0	567.0	430.0	356.0	309.0	168.9
1.40V		2200.0	1358.0	953.0	779.0	571.0	433.0	359.0	311.0	169.3
1.30V		2220.0	1370.0	960.0	784.0	574.0	435.0	361.0	312.0	169.8

Constant current discharge characteristics at 25 °C/77 °F										Unit: A
F.V. (V/cell)	Discharge Time	5 Min	10 Min	15 Min	20 Min	30 Min	40 Min	50 Min	60 Min	120 Min
1.80V		146.43	98.25	70.16	59.35	44.58	33.64	27.95	24.50	13.52
1.70V		178.18	109.65	76.30	62.86	46.44	34.90	28.87	25.08	13.78
1.60V		190.91	115.35	79.76	65.18	47.46	35.74	29.46	25.50	14.00
1.50V		196.36	117.54	81.49	66.21	48.05	36.16	29.79	25.75	14.08
1.40V		200.00	119.12	82.44	66.81	48.39	36.42	30.04	25.92	14.11
1.30V		201.82	120.18	83.04	67.24	48.64	36.59	30.21	26.00	14.15

All data shall be changed without prior notice, BB reserves the right to explain and update the information contained hereinto.